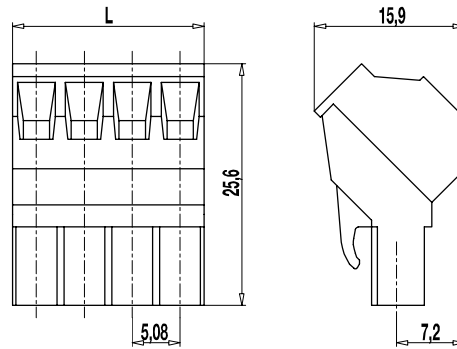


121-C-111

Plug connector
Screw connection diagonal 45° to PCB



GENERAL INFORMATION

Pitch	5,08 mm
No. of poles	2 - 24
Usable with	all pin strips of series 121

TECHNICAL DATA

Clamping Range	solid / stranded / AWG		
	0,2 - 4 mm ² / 0,2 - 2,5 mm ² / 26 - 12 AWG		
Rated Cross Section	2,5 mm ²		
Wire Stripping Length	7 mm ± 0,5 mm		
Overvoltage Category	III	III	II
Pollution Severity Level	3	2	2
Rated Voltage	250 V	320 V	630 V
Rated Impulse Voltage	4 kV	4 kV	4 kV
Rated Insulation Voltage	250 V acc. to EN 60998-1		
Rated Current	12 A		
Torque	0,5 Nm		

APPROVALS

	Current [A]	Voltage [V]	Group	AWG	[Nm]
	15	300	B	26 - 12	0,51
	10	300	D	26 - 12	0,51
	15	300	B	26 - 12	0,51
	10	300	D, E	26 - 12	0,51

MATERIAL

Moulding	PA, grey, V-0
Comparative Tracking Index	CTI ≥ 600
Insulating Group	I
Temperature Range	-40°C up to 100°C
Terminal body	Nickel plated brass
Pressure clamp	Tin plated tin bronze
Screw	M3; zinc plated steel, blue passivated
Spring	Tin plated tin bronze

OPTIONS / ACCESSORIES

- Consecutive numbering
- Special marking according to drawing
- Self-adhesive marking strip BST-5,08
- Pitch of 10,16 mm for larger clearance and creepage distances
- Coding elements 120-K
- Connectors equipped with coding elements on request
- Strain relief

CONFIGURATIONS

Poles	Part number	Article number	Length (L)	Packaging	PU
2	121-C-111/02	10.808.302	10,16 mm	Box	100
3	121-C-111/03	10.808.303	15,24 mm	Box	100
4	121-C-111/04	10.808.304	20,32 mm	Box	100
5	121-C-111/05	10.808.305	25,40 mm	Box	100
6	121-C-111/06	10.808.306	30,48 mm	Box	100

